

# 12MB1500FT

Professional Mid Bass Driver



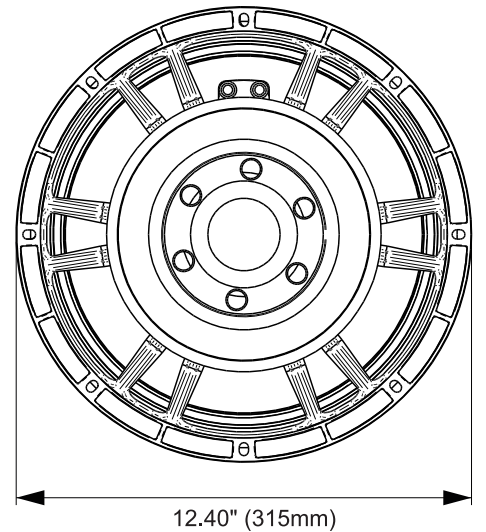
## KEY FEATURES

- 750 Watts nominal power handling
- 98.5 dB Sensitivity
- 75 - 5,000 Hz of frequency response



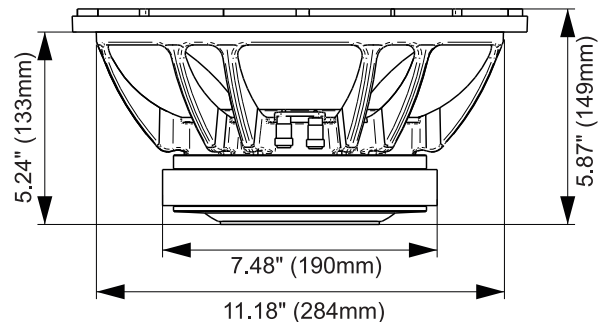
## GENERAL SPECIFICATIONS

Nominal Diameter	12" (305 mm)
Nominal impedance	8 Ohm
<b>Nominal Power Handling</b>	<b>750 Watts</b>
Continuous Program Power (RMS)	1500 Watts
Max Peak Power	3000 Watts
<b>Sensitivity 2.83V at 1m</b>	<b>98.5 dB</b>
Recommended Hi Pass Crossover*	90 Hz*
<small>*For Full Power Handling</small>	<small>*12db Per Octave Crossover</small>
<b>Frequency Response</b>	<b>75 - 5,000 Hz</b>
Voice Coil Diameter	3.5" (89 mm)
Voice Coil Wire	CCAW
Voice Coil Winding Depth	17.0 mm
Former Material	Glass Fiber
Magnetic Gap Depth	10.0 mm
Frame Material	Die cast Aluminum



## THIELE-SMALL PARAMETERS

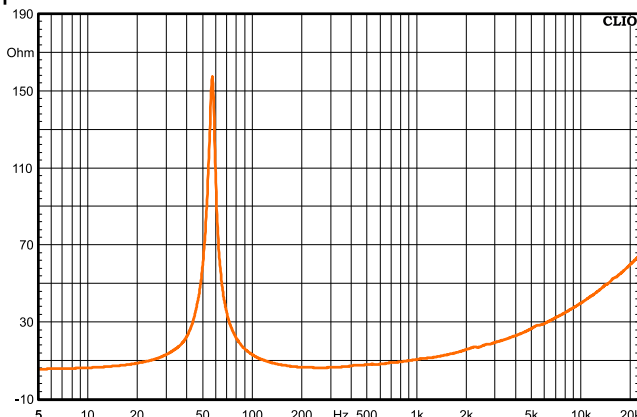
Equivalent Volume	Vas	62.37 l
Excursion (mathematical)***	Xmax	6.00 mm
Free Air Resonance	Fs	57.2 Hz
Mechanical Factor	Qms	10.87
Electrical Factor	Qes	0.37
Total Factor	Qts	0.36
Cone Area	Sd	585 cm <sup>2</sup>
Mechanical Mass	Mms	59.32 g
Bl Factor	Bl	17.27 Tm
Dc Resistance	Re	5.2 Ohm
Inductance	Le	0.963mH at 1kHz
Mechanical Mass Without Air	Mmd	51.31 g
Mechanical Compliance	Cms	0.130 mm/N



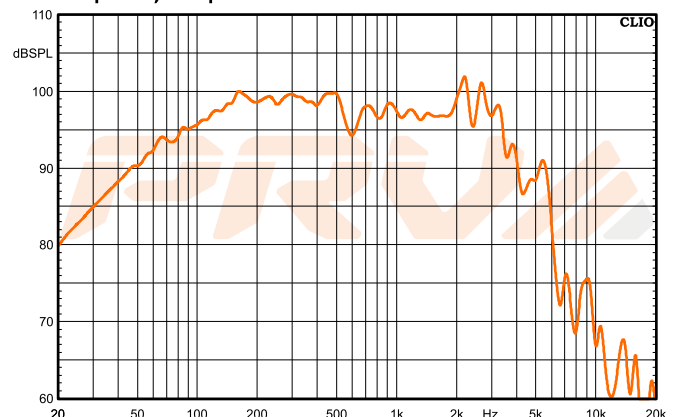
## EXTRA INFO

Overall Diameter	12.40" (315 mm)
Front Mount Baffle Cutout	11.18" (284 mm)
Mounting Depth	5.24" (133 mm)
Overall Depth	5.87" (149 mm)
Net Weight	16.32 Lb (7.4 kg)
Shipping Weight	17.55 Lb (8 kg)
Carton Dimensions W x L x H	13.50" x 13.50" x 7" (343 x 343 x 178 mm)

Impedance Curve - Free Air



Frequency Response Measured at 2.83V/1m



PRV AUDIO USA (USA and Export) PRV AUDIO BRAZIL (Brazilian Sales Only)  
 POMPANO BEACH, FL SAO LEOPOLDO, RS  
 support@prvaudio.com vendas@pvaudio.com.br  
 www.prvaudio.com www.pvaudio.com.br

\*\*Xmax=(Voice coil winding depth-Magnetic Gap depth)/2+ Magnetic Gap Depth/4  
 \*\*\* T-S parameters measured after 2 hours at 1/2 Rated power, pink noise preconditioning test