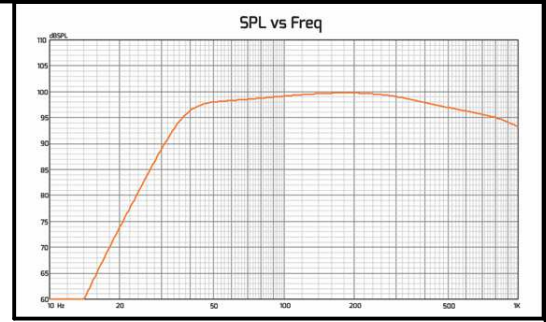


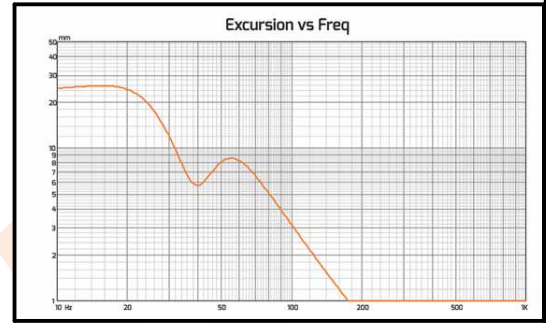
Application: Live concerts at larger venues, Clubs

Specifications

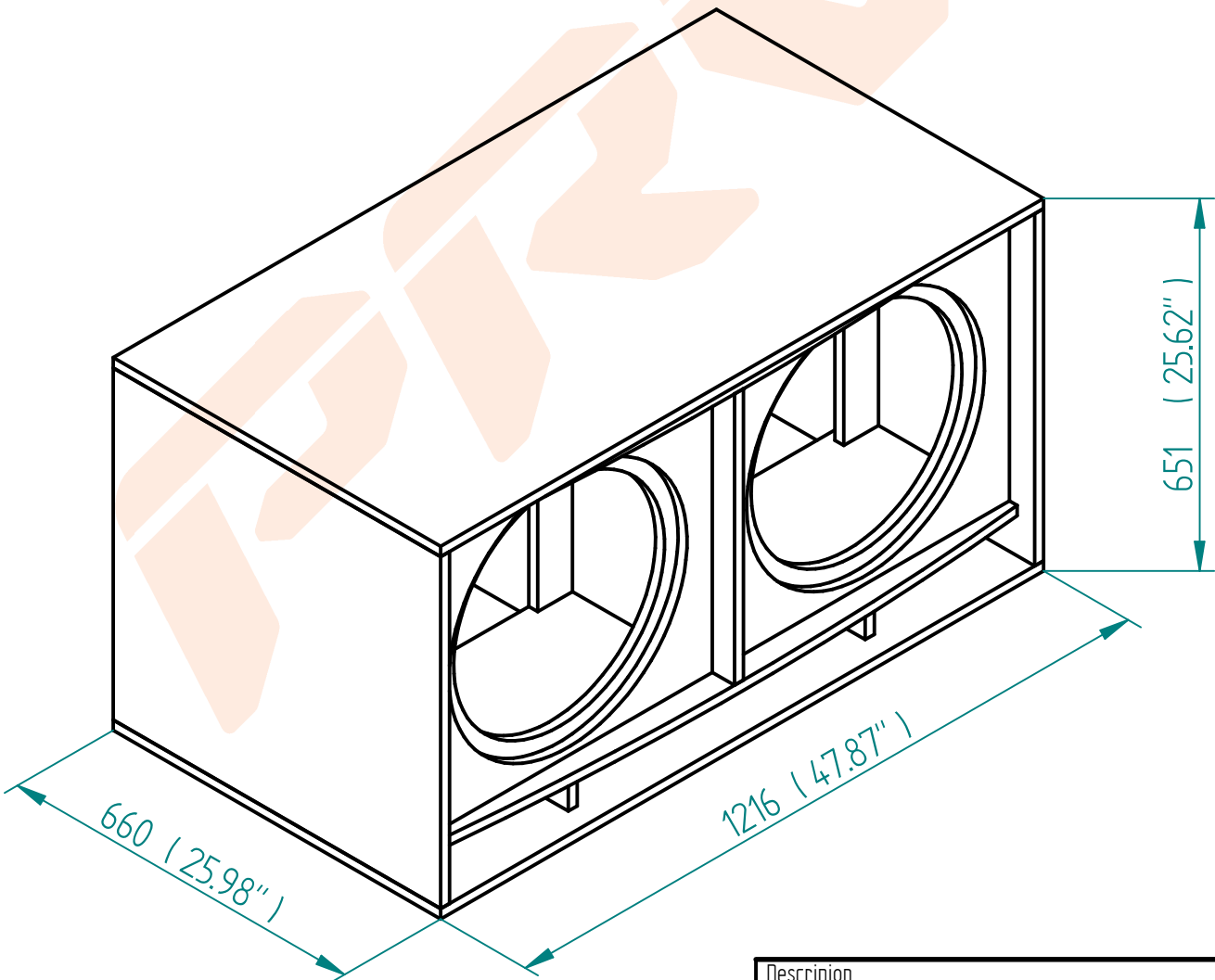
- Net Volume = 184.1 liters (per speaker)
- Fb = 39.7 Hz
- QL = 10
- F3 = 38.5Hz
- No. of Vents = 2 (per chamber)
- Vent shape = rectangle
- Dimension of vents
- Hv = 70 mm
- Wv = 281.5 mm
- Lv = 300 mm
- High pass filter: 40Hz -12dB/oct
- Maximum Freq for low pass filter: 180Hz
- Material: Plywood 3/4" (actual thickness 18mm)
- Speaker model: 18SW3600
- Speaker connection: parallel (4 Ohms)
- Recommended RMS power: 1800-3600 4 Ohms



SPL@1W

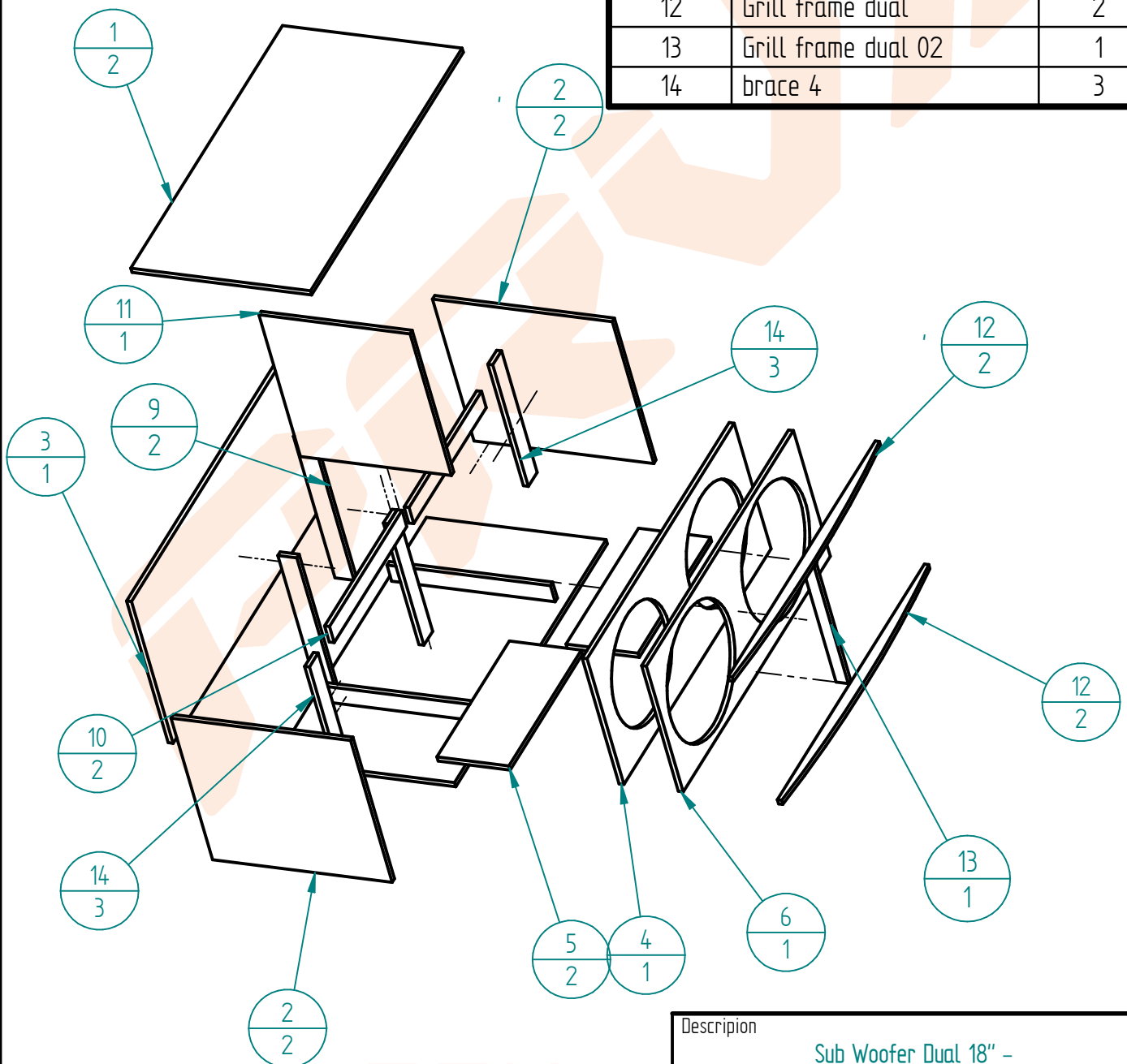


Cone Excursion@1800W per speaker

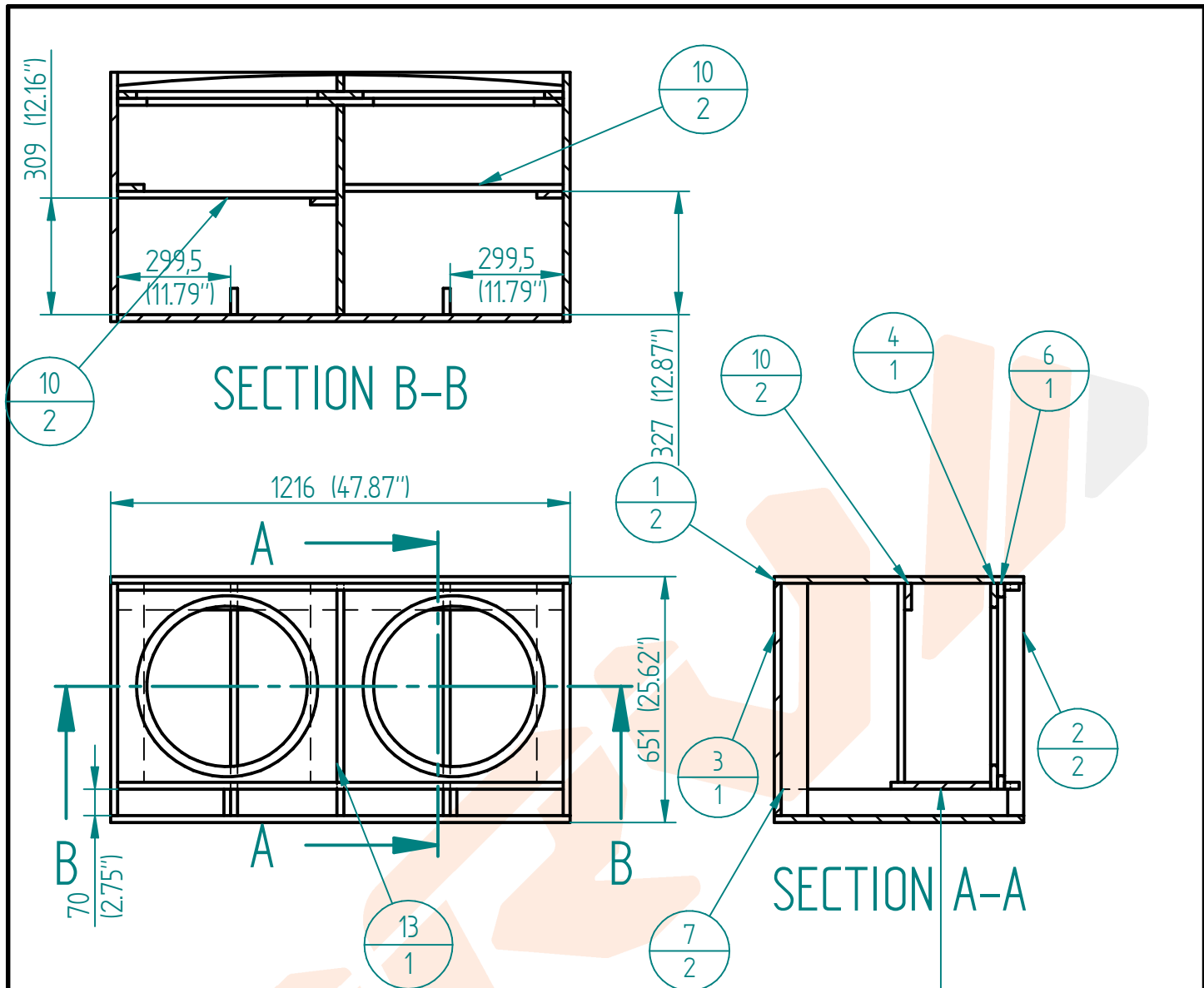


Description		
Sub Woofer Dual 18" -		
Form	Code	REV
A4	Speaker 18SW3600	
Arquivo: Sub 18SW3600 dual.dft		

Item Number	Part Name	Quantity
1	side 01dual	2
2	side 02	2
3	side 03 dual	1
4	baffle dual	1
5	Vent side	2
6	baffle 02 dual	1
7	brace 01	2
9	brace 02	2
10	Brace 03	2
11	Side 04	1
12	Grill frame dual	2
13	Grill frame dual 02	1
14	brace 4	3



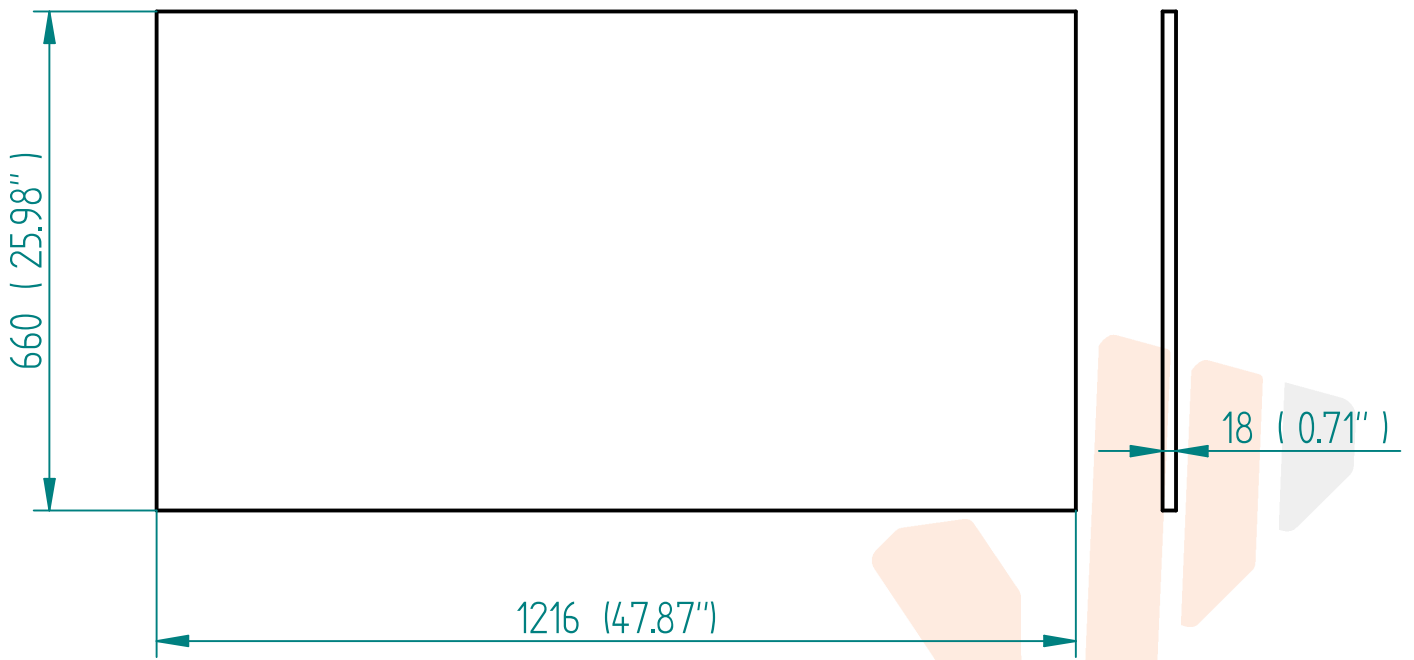
Description		
Sub Woofer Dual 18" -		
Form	Code	REV
A4	Speaker 18SW3600	
Arquivo: Sub 18SW3600 dual.dft		



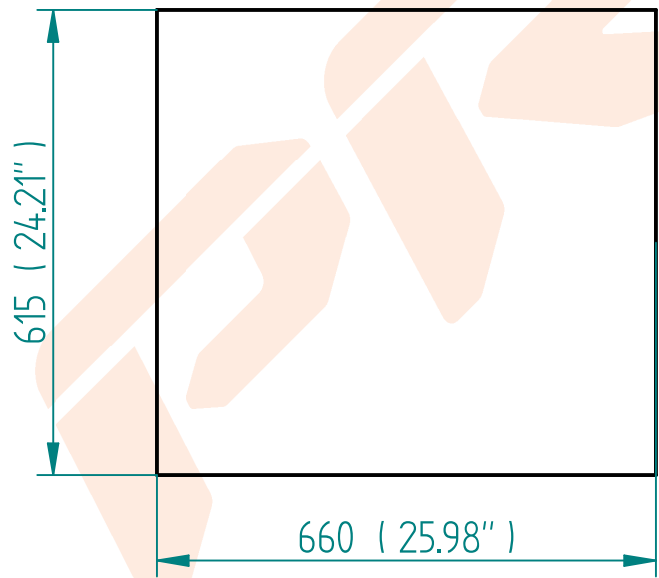
Item Number	Part Name	Quantity
1	side 01dual	2
2	side 02	2
3	side 03 dual	1
4	baffle dual	1
5	Vent side	2
6	baffle 02 dual	1
7	brace 01	2
9	brace 02	2
10	Brace 03	2
11	Side 04	1
12	Grill frame dual	2
13	Grill frame dual 02	1
14	brace 4	3



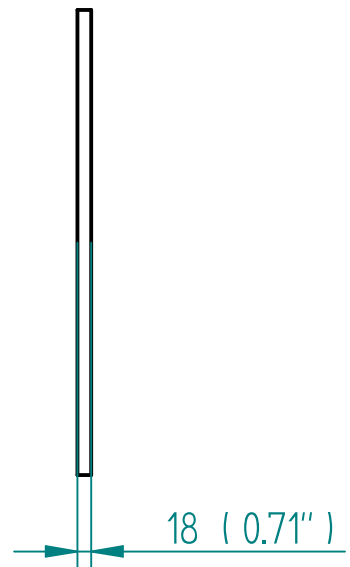
Description		
Sub Woofer Dual 18" -		
Form A4	Code	REV
	Speaker 18SW3600	
Arquivo: Sub 18SW3600 dual.dft		



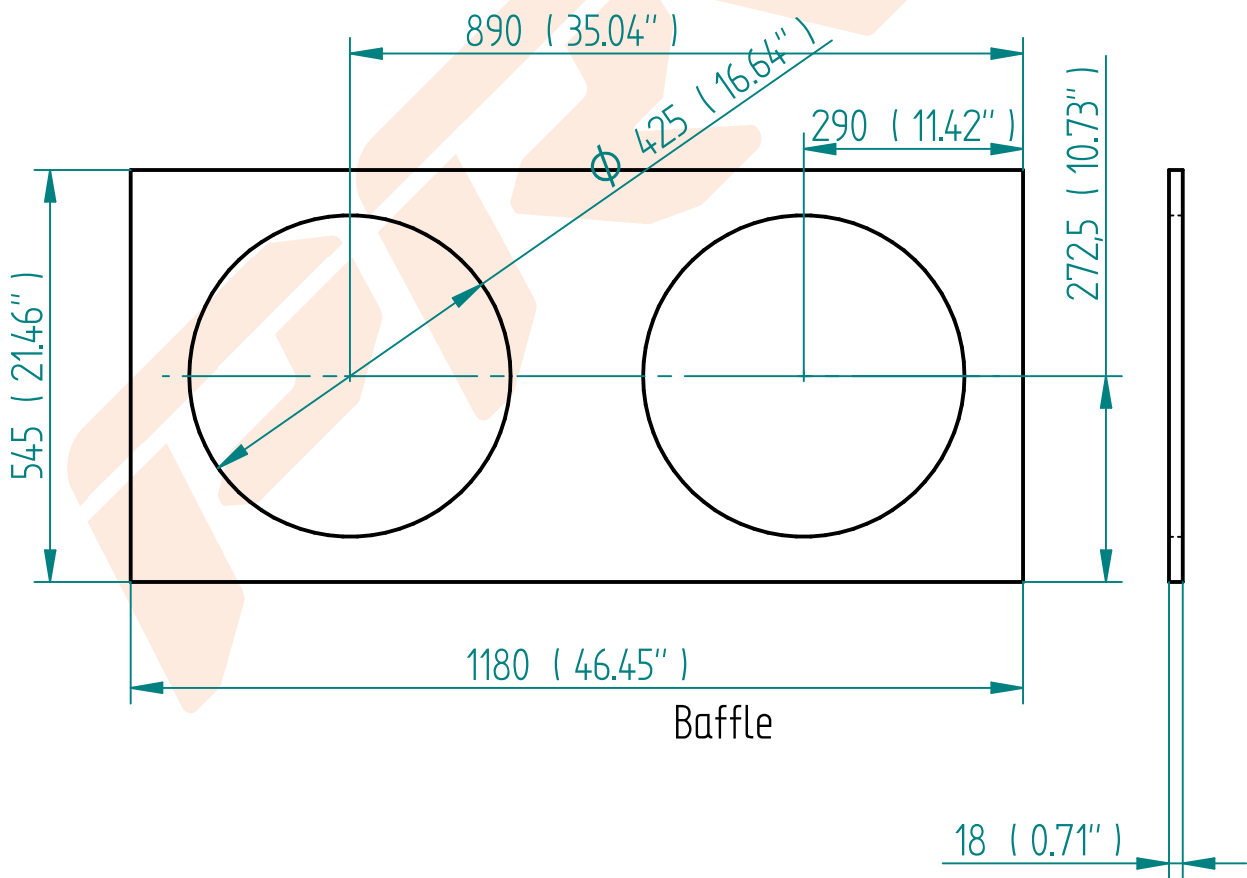
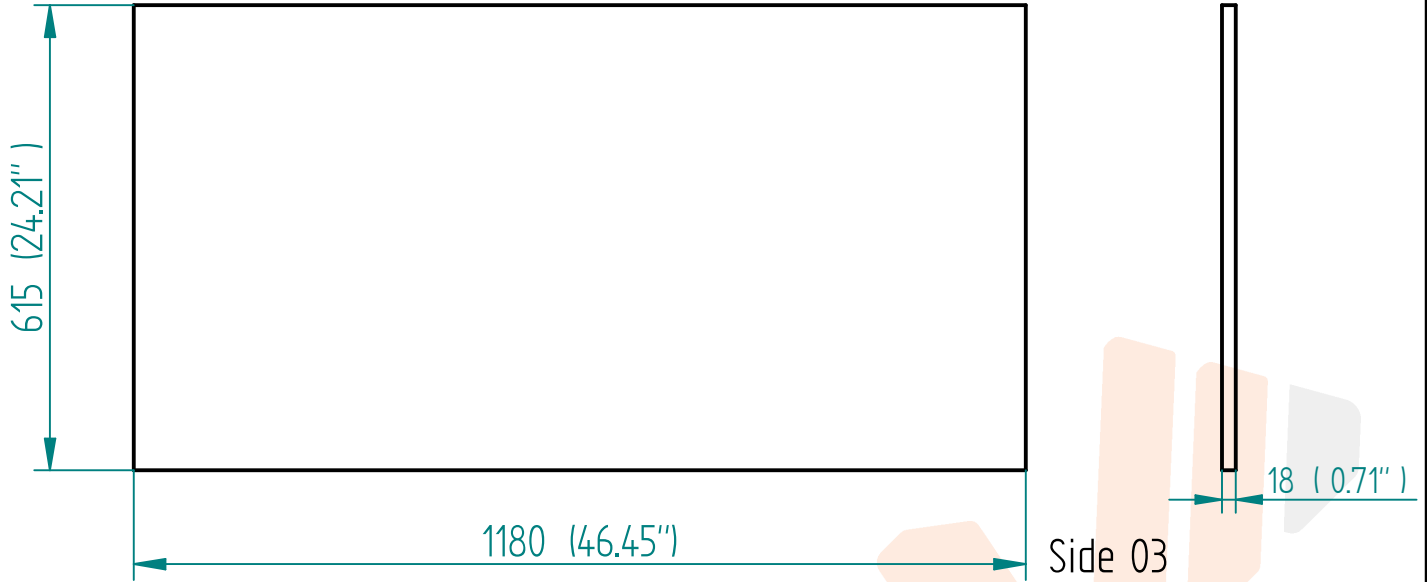
Side 01



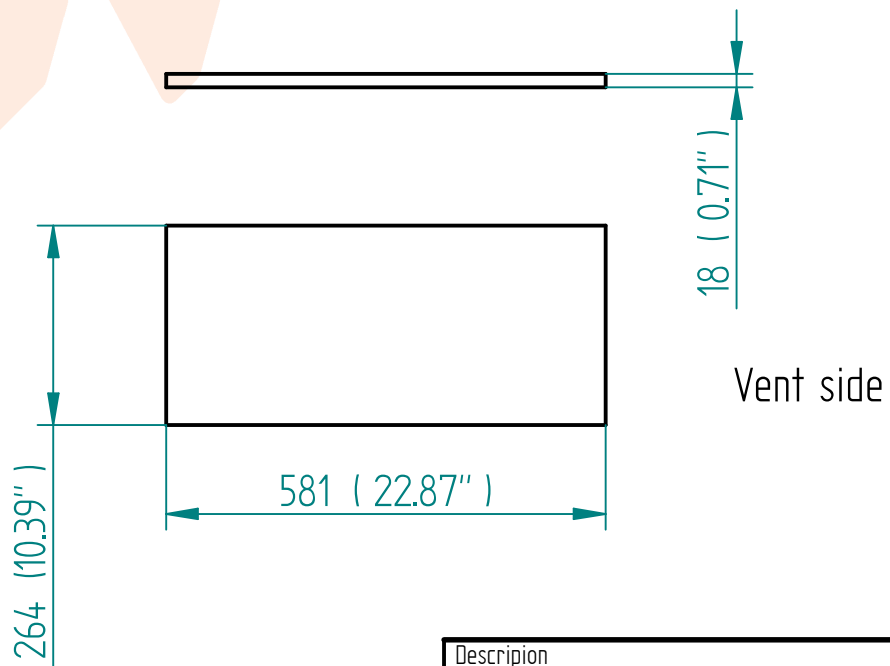
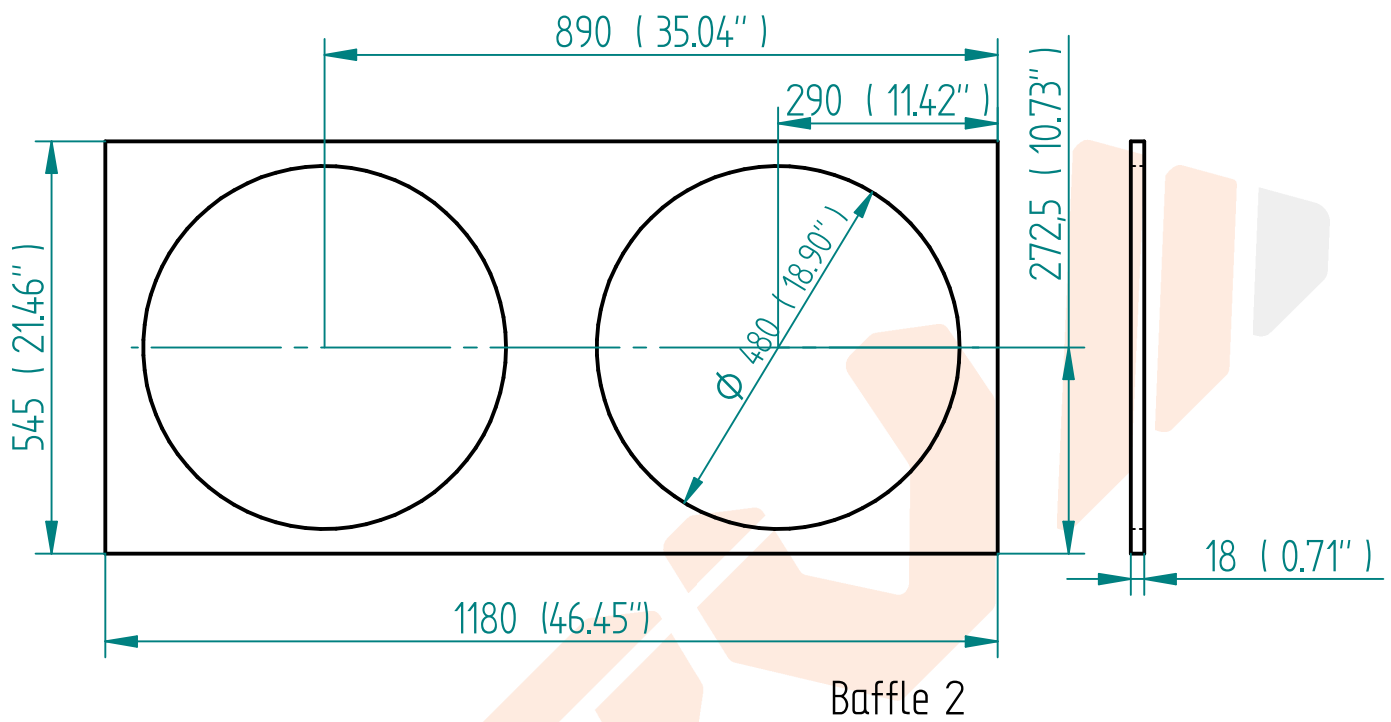
Side 02



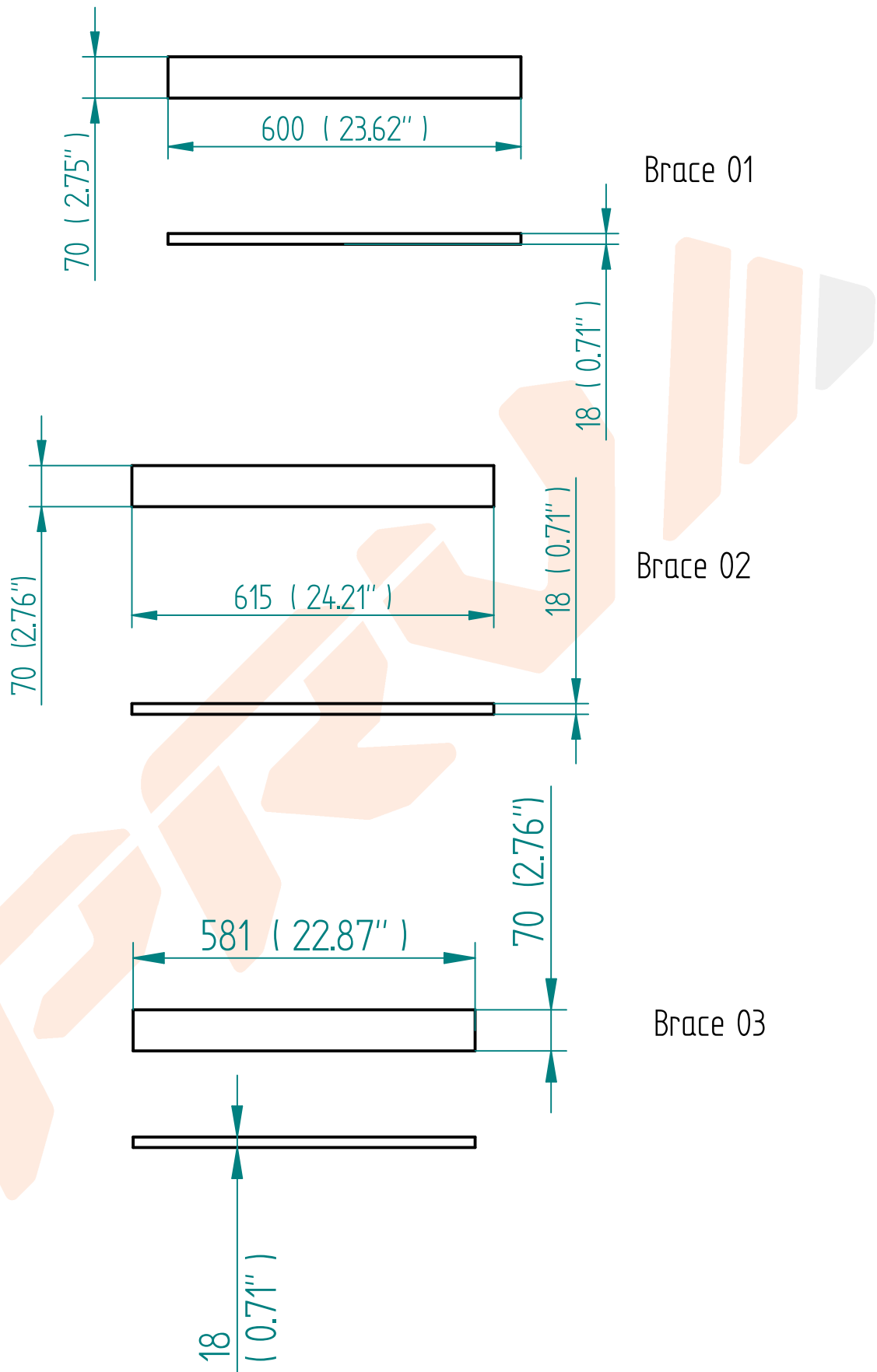
Description		
Sub Woofer Dual 18" -		
Form	Code	REV
A4	Speaker 18SW3600	
Arquivo: Sub 18SW3600 dual.dft		



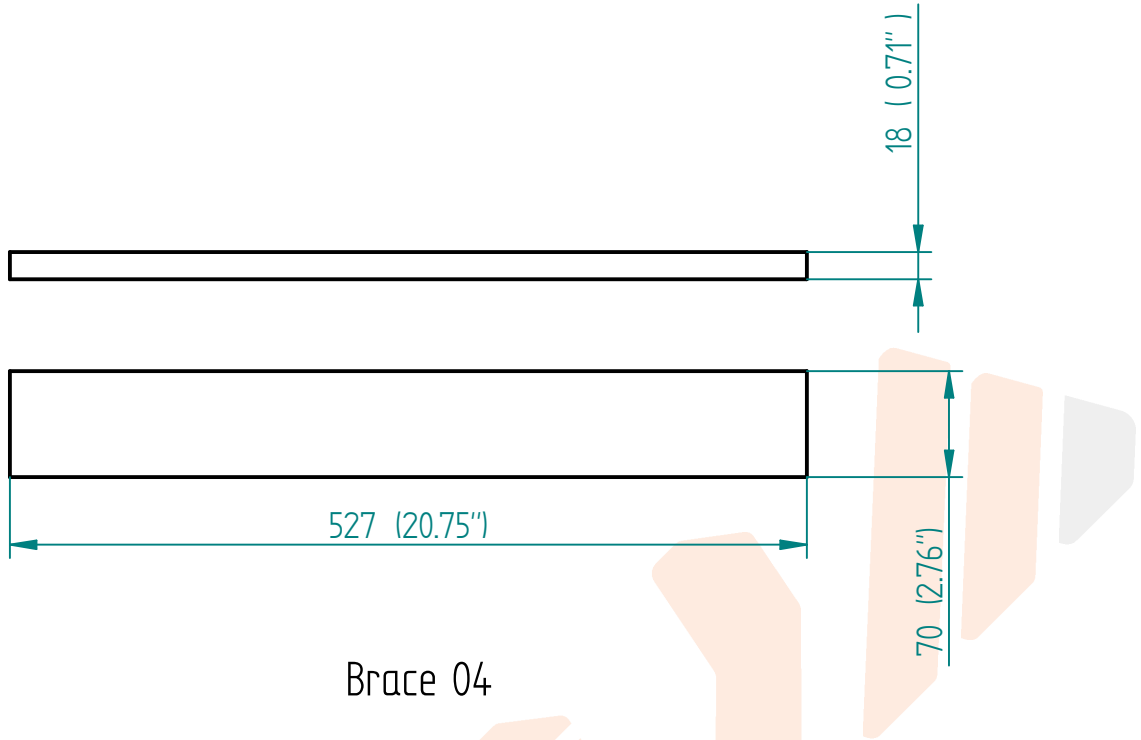
Description		
Sub Woofer Dual 18" -		
Form	Code	REV
A4	Speaker 18SW3600	
Arquivo: Sub 18SW3600 dual.dft		



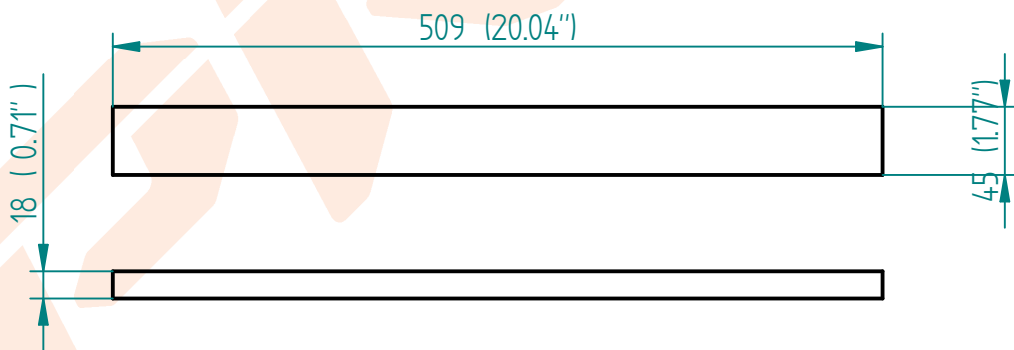
Description		
Sub Woofer Dual 18" -		
Form	Code	REV
A4	Speaker 18SW3600	
Arquivo: Sub 18SW3600 dual.dft		



Description		
Sub Woofer Dual 18" -		
Form	Code	REV
A4	Speaker 18SW3600	
Arquivo: Sub 18SW3600 dual.dft		



Brace 04

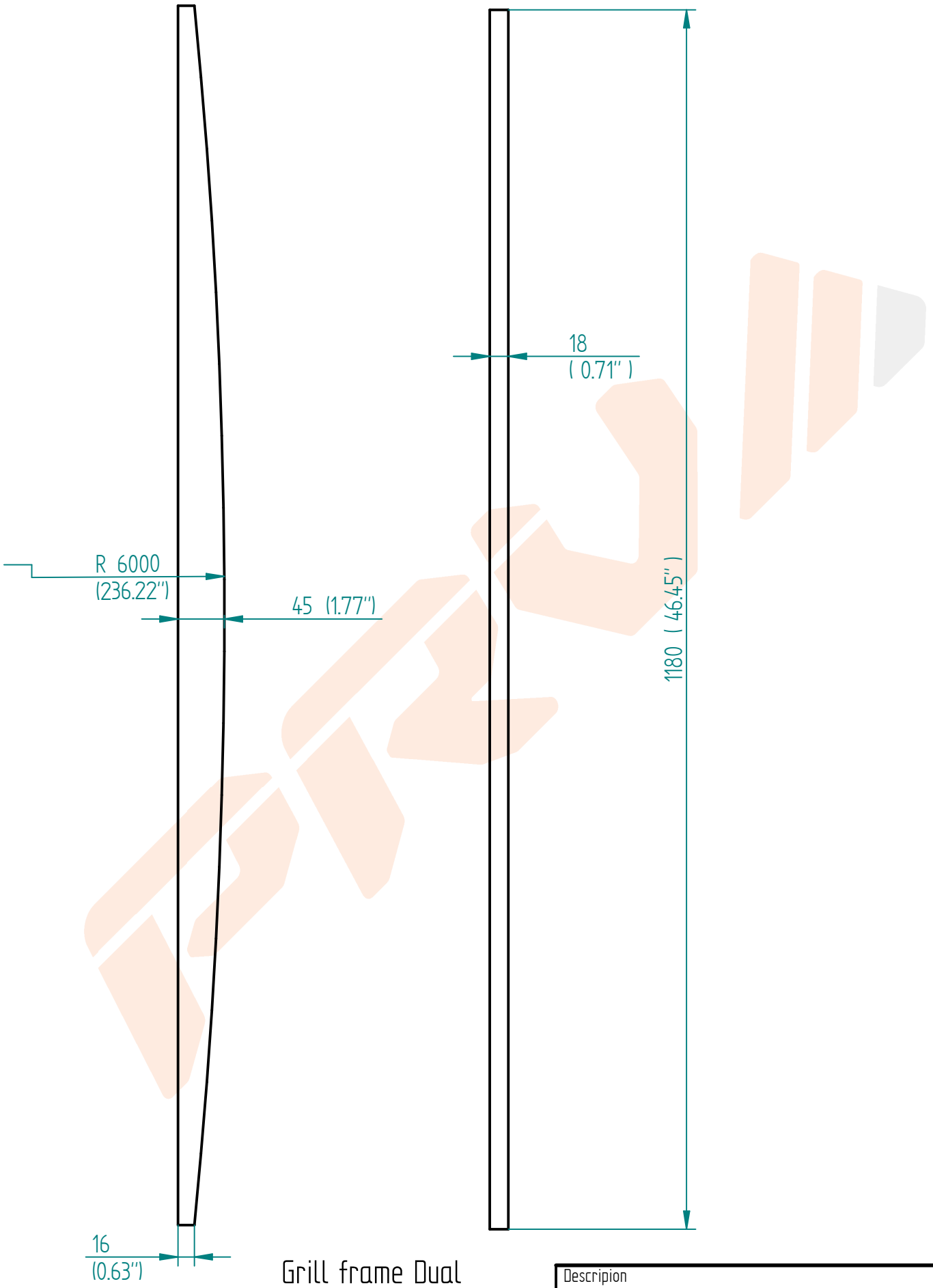


Grill Frame Dual 02



Description		
Sub Woofer Dual 18" -		
Form	Code	REV
A4	Speaker 18SW3600	
Arquivo: Sub 18SW3600 dual.dft		

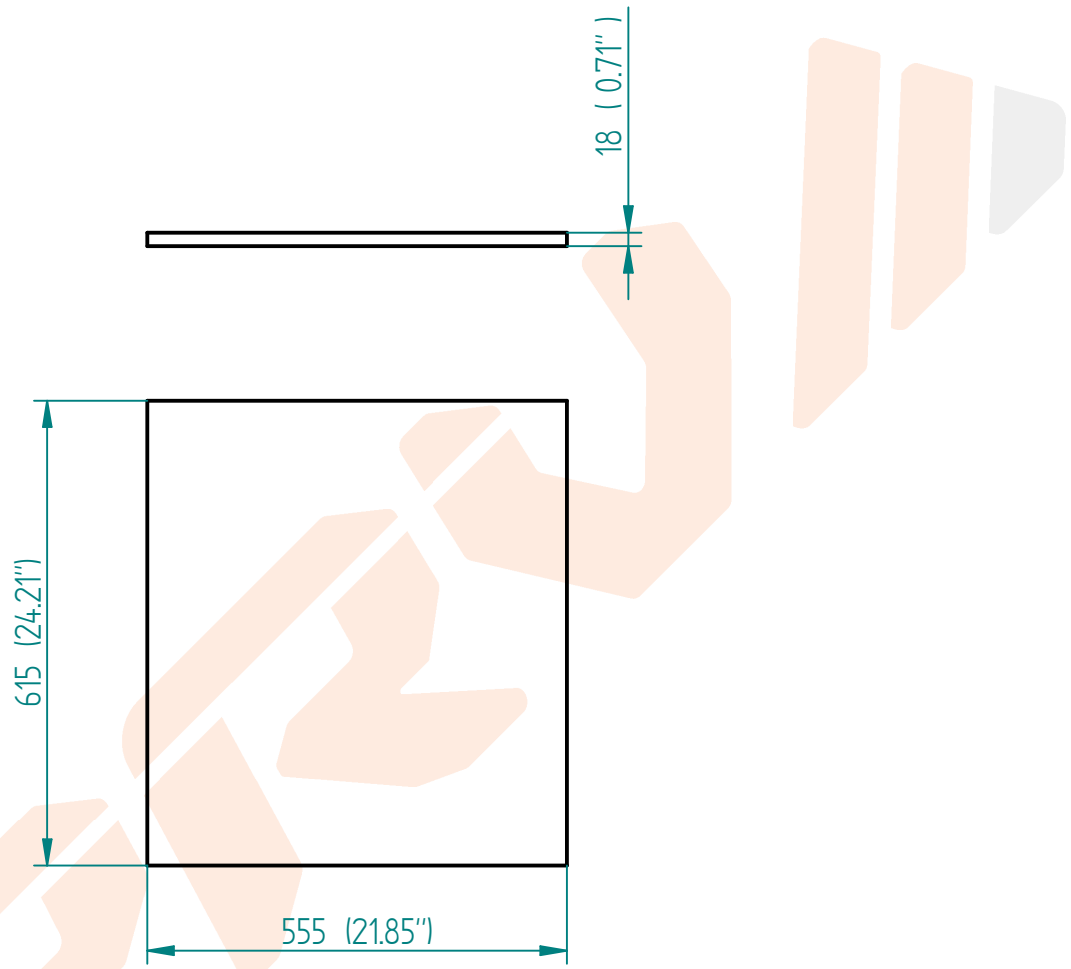




Grill frame Dual



Description		
Sub Woofer Dual 18" -		
Form	Code	REV
A4	Speaker 18SW3600	
Arquivo: Sub 18SW3600 dual.dft		



Side 04



Description		
Sub Woofer Dual 18" -		
Form	Code	REV
A4	Speaker 18SW3600	
Arquivo: Sub 18SW3600 dual.dft		