

Application:

PA system for Live venues, Djs and rental sound.

Technical specifications:

Internal net volume: 151l per chamber

F3: 40Hz

Tuning frequency: 40Hz

Vent dimension: 63x522mm (2.5"x 20.5")

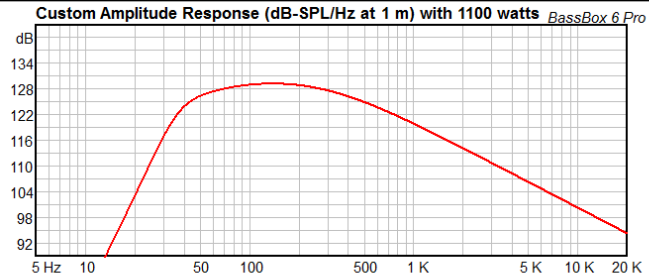
Lv: 98mm (3.9")

Material: Plywood 19mm (3/4")

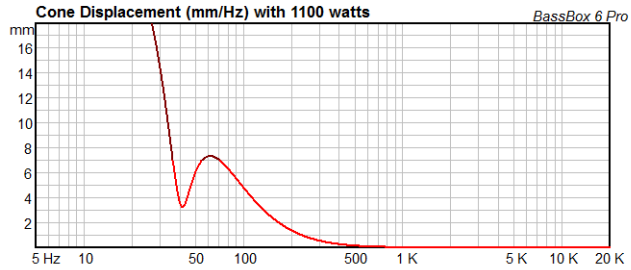
Recommended Power: Parallel connection 4000W rms (40hms) per module

Series connection - not recommended

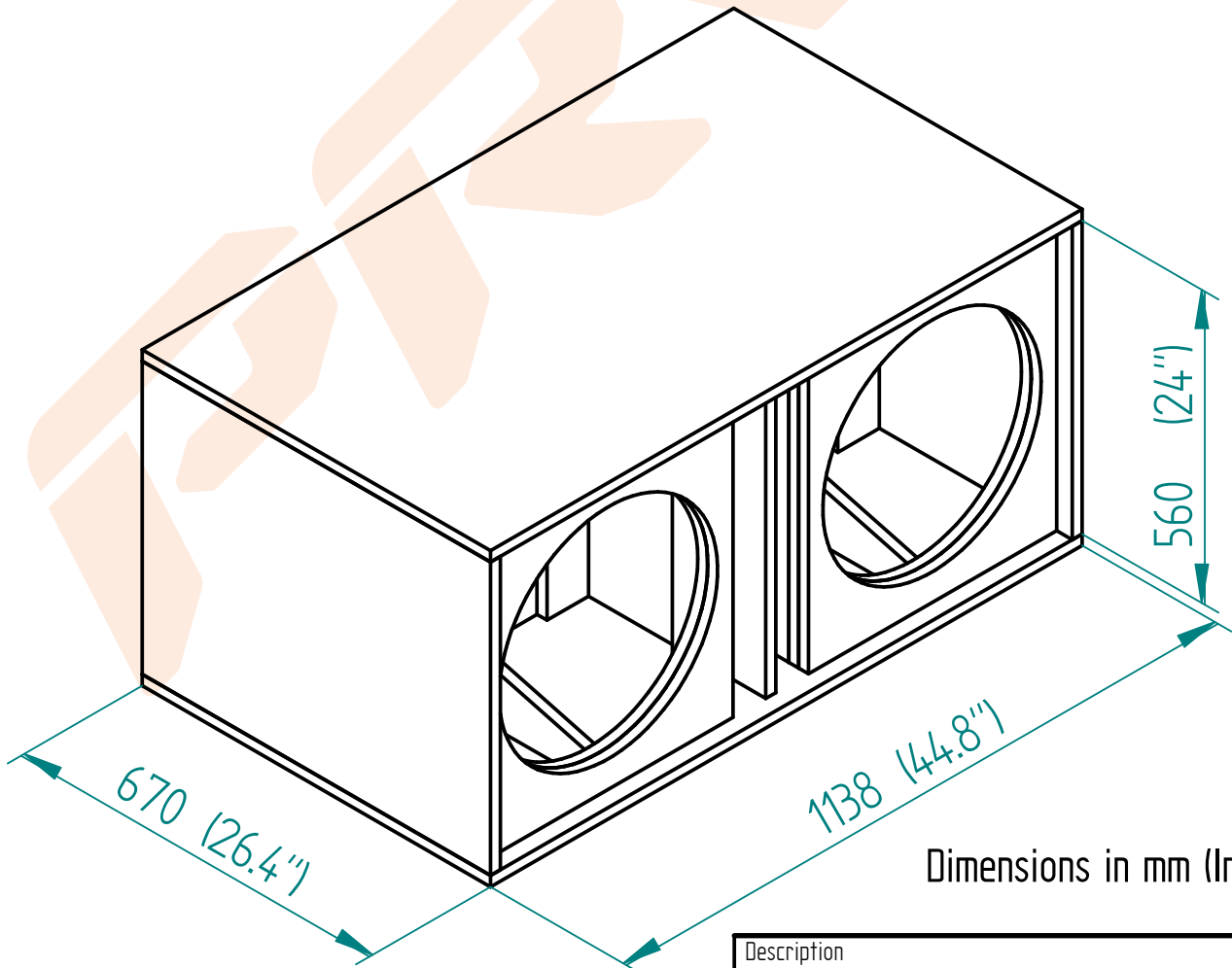
Discrete (individual) connection: 2000Wrms (80hms) per speaker



Response at 1100W (one speaker)

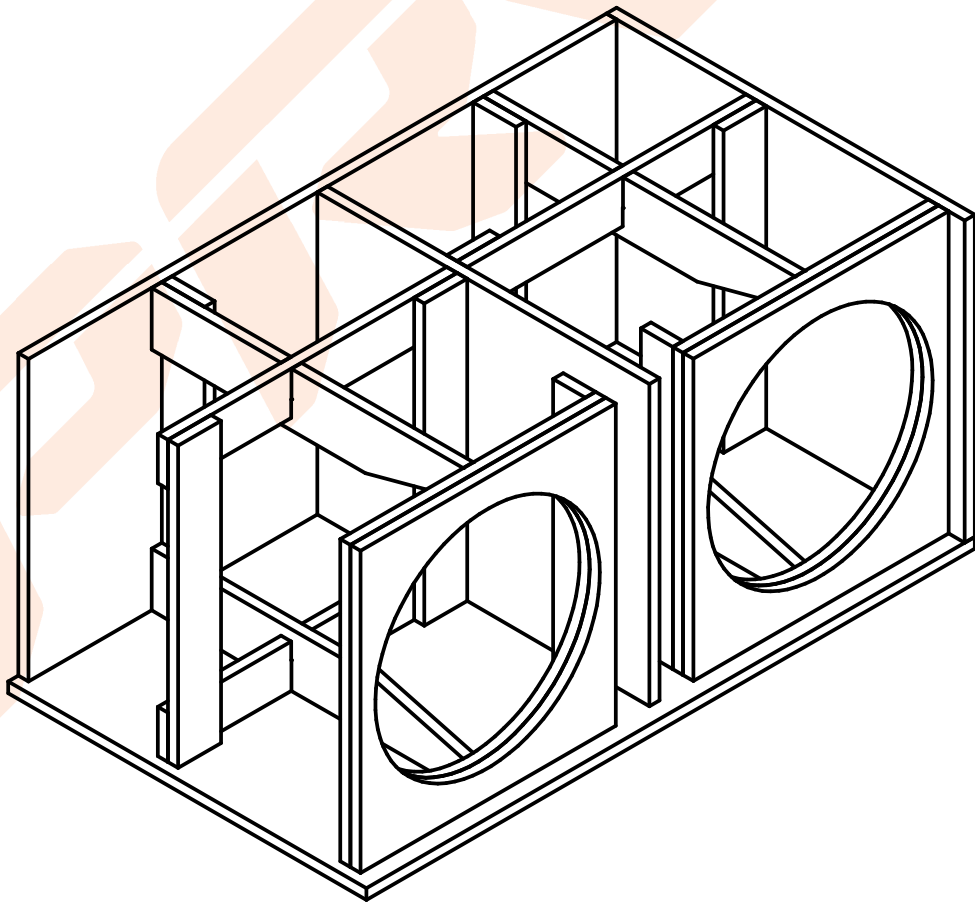
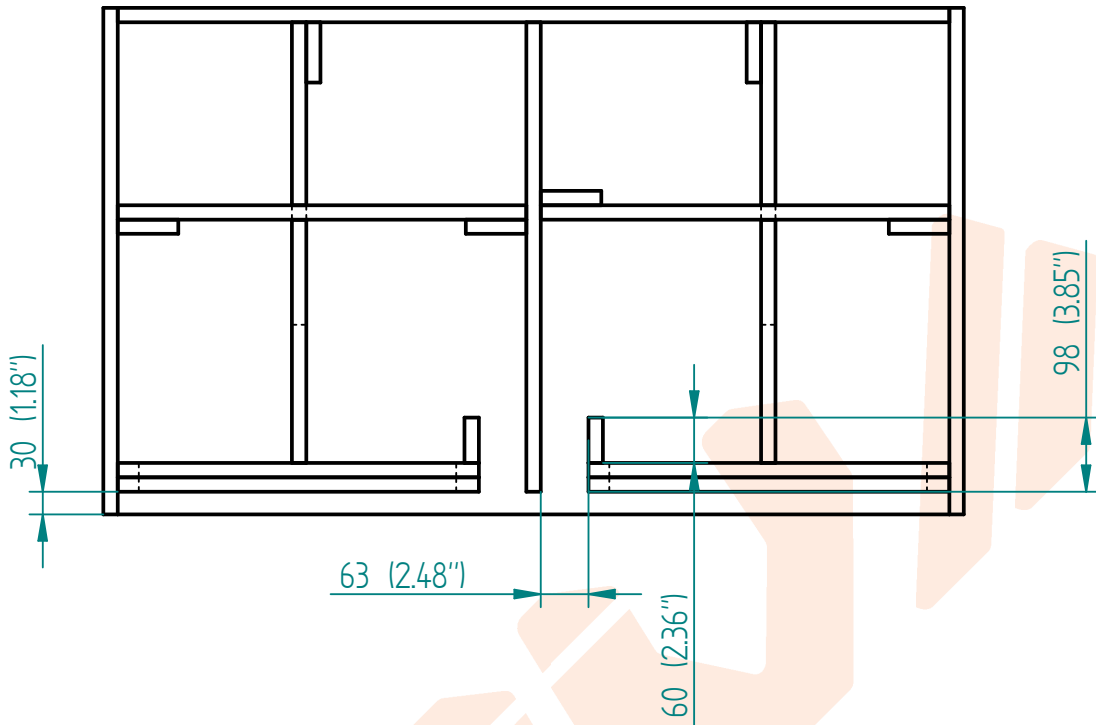


Cone displacement at 1100W



Description		
Vented Dual 18SW2200V2 -		
Form	Code	REV
A4	Speaker 18SW2200V2	
Arquivo: Vented Dual 18SW2200V2.dft		

Inside top View

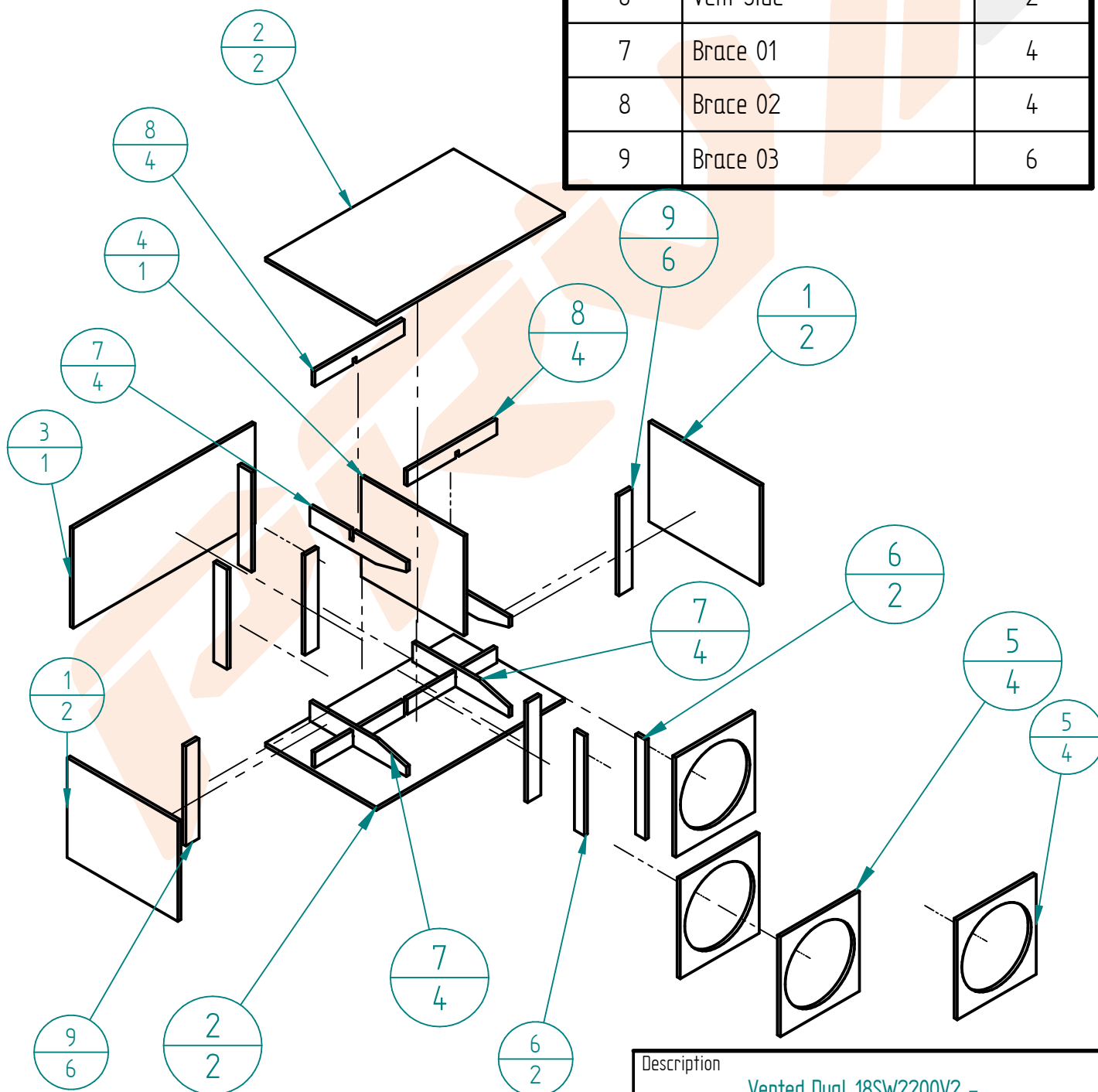


Perspective inside view



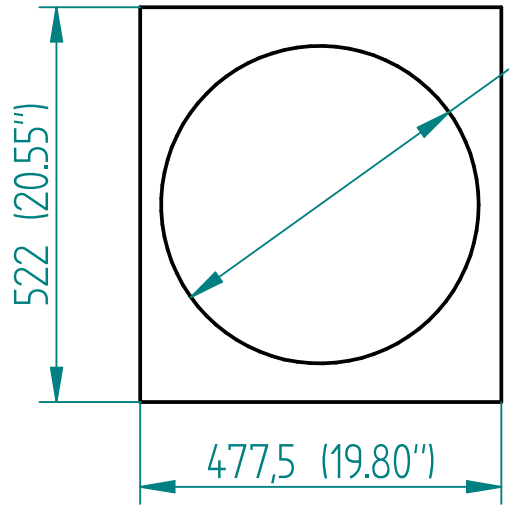
Description		
Vented Dual 18SW2200V2 -		
Form	Code	REV
A4	Speaker 18SW2200V2	
Arquivo: Vented Dual 18SW2200V2.dft		

Item Number	Part Name	Quantity
1	Side 01	2
2	Side 02	2
3	Side 03	1
4	Side 04	1
5	Baffle 01	4
6	Vent Side	2
7	Brace 01	4
8	Brace 02	4
9	Brace 03	6

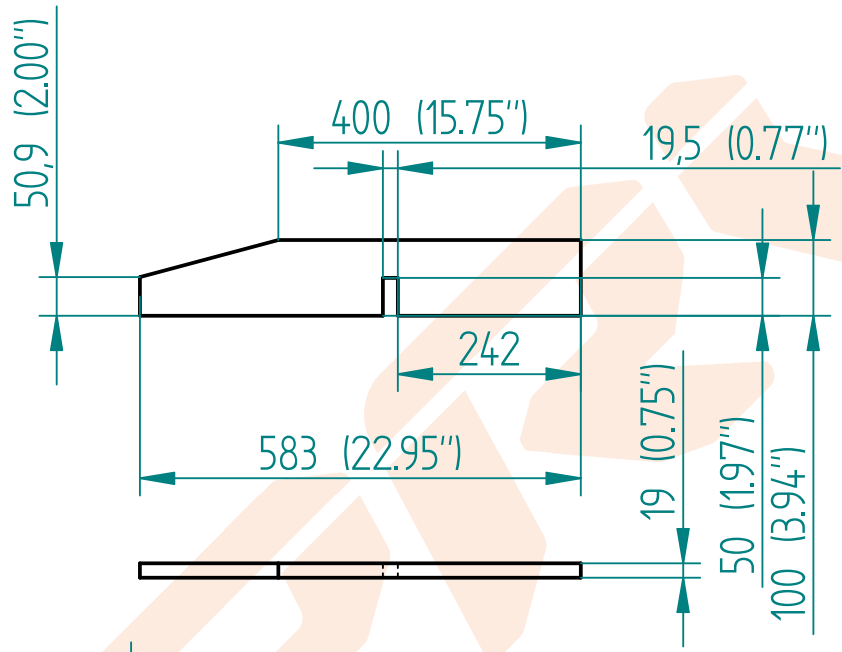
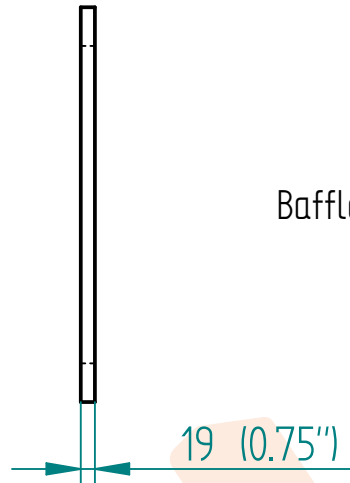


Description		
Vented Dual 18SW2200V2 -		
Form A4	Code	REV
	Speaker 18SW2200V2	
Arquivo: Vented Dual 18SW2200V2.dft		

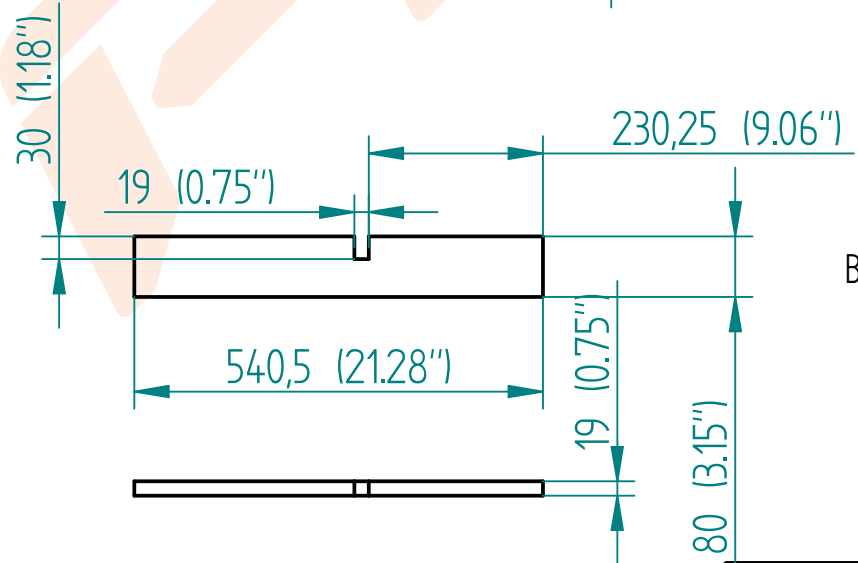
Ø 420 (16.53")



Baffle 01



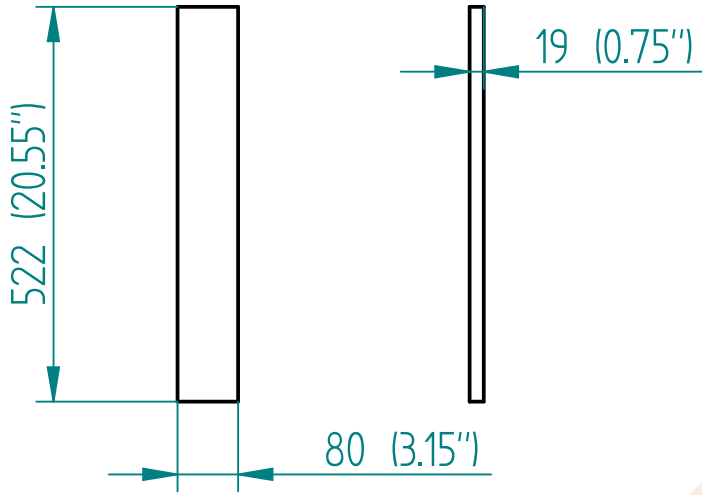
Brace 01



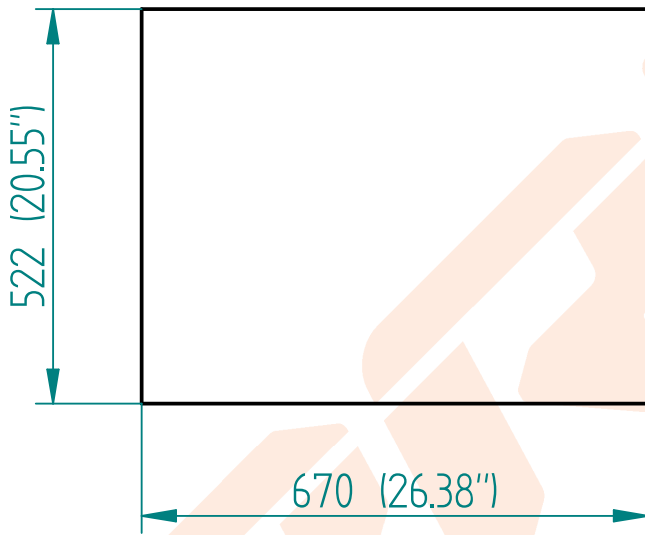
Brace 02



Description		
Vented Dual 18SW2200V2 -		
Form	Code	REV
A4	Speaker 18SW2200V2	
Arquivo: Vented Dual 18SW2200V2.dft		

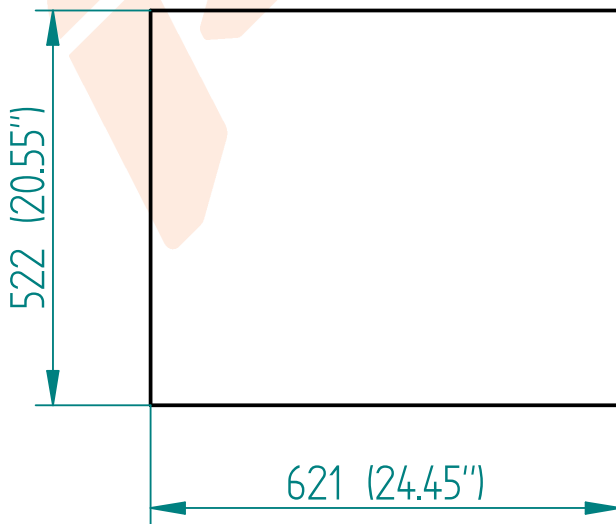


Brace 03



Side 01

19 (0.75")



Side 04

19 (0.75")



Description		
Vented Dual 18SW2200V2 -		
Form	Code	REV
A4	Speaker 18SW2200V2	
Arquivo: Vented Dual 18SW2200V2.dft		

670 (26.38")

1138 (44.80")

19 (0.75")

19 (0.75")

Side 02

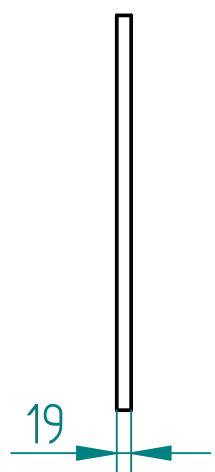
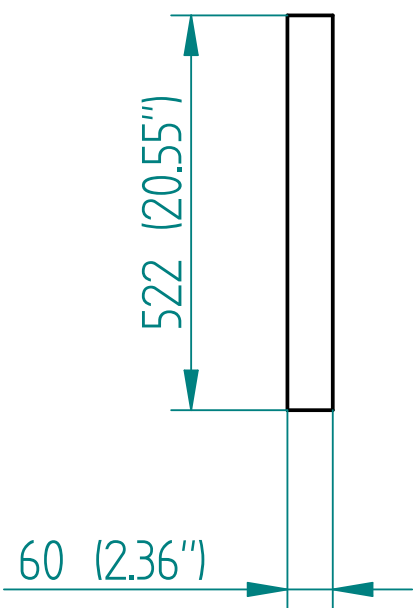
522 (20.55")

1100 (43.31")

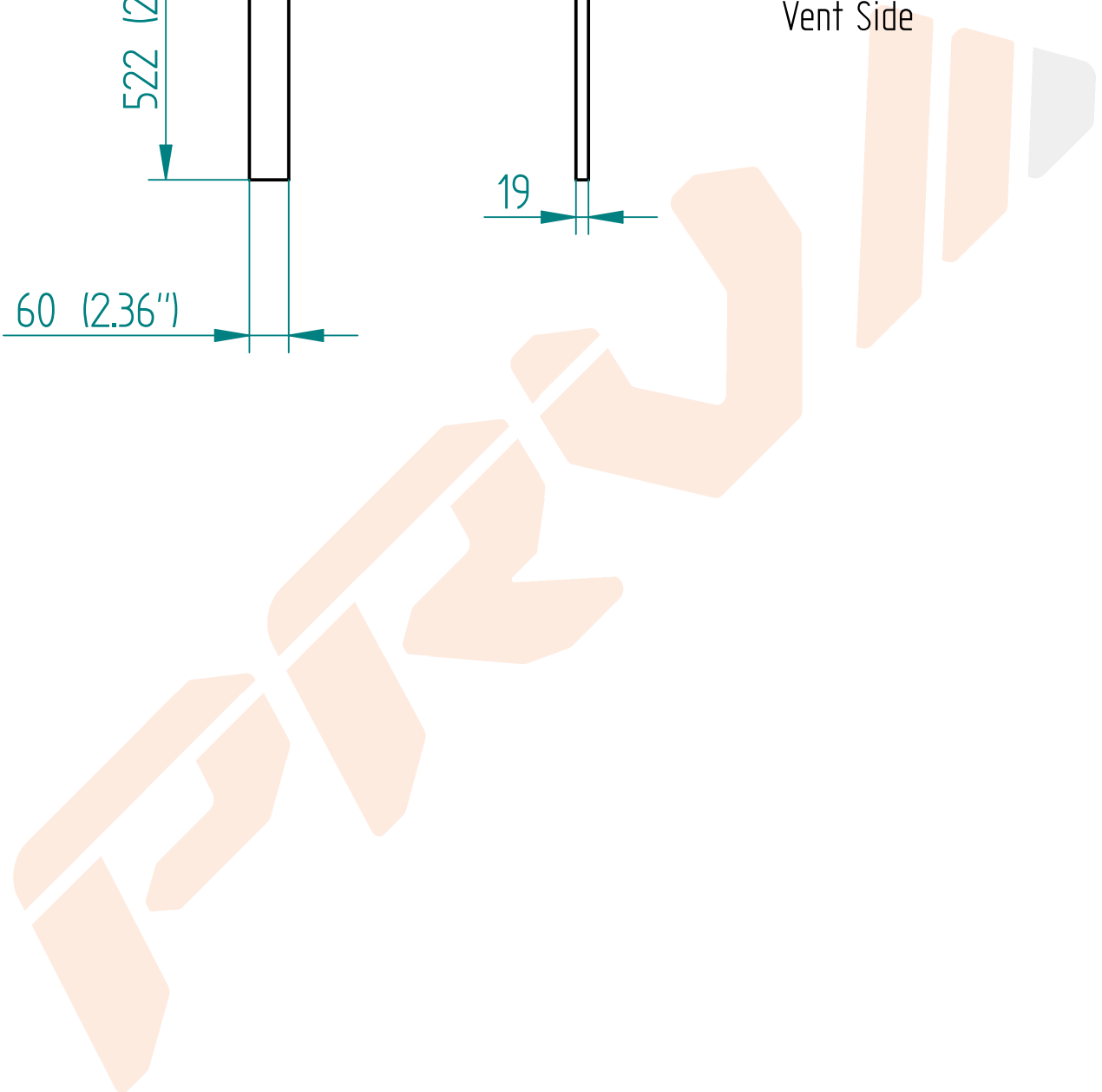
Side 03



Description		
Vented Dual 18SW2200V2 -		
Form	Code	REV
A4	Speaker 18SW2200V2	
Arquivo: Vented Dual 18SW2200V2.dft		



Vent Side



Description		
Vented Dual 18SW2200V2 -		
Form	Code	REV
A4	Speaker 18SW2200V2	
Arquivo: Vented Dual 18SW2200V2.dft		