

Application:
Djs, stage monitoring,
sound reinforcement on
small / medium size theaters

Specifications

Net Volume = 123 liters

With 15W700

Fb = 55.36Hz

QL = 10

F3 = 47.43Hz

With 15W1000V2

Fb = 55.36Hz

QL = 10

F3 = 47.86Hz

With 15W800A

Fb = 55.37Hz

QL = 10

F3 = 49.97Hz

No. of Vents = 2

Vent shape = rectangle

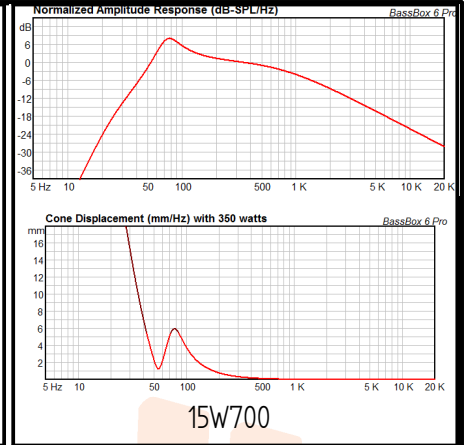
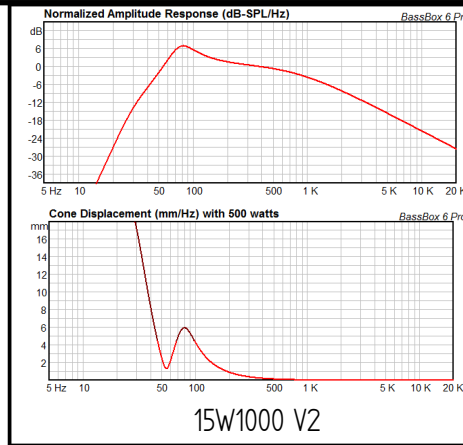
Dimension of vents

Hv = 70 mm

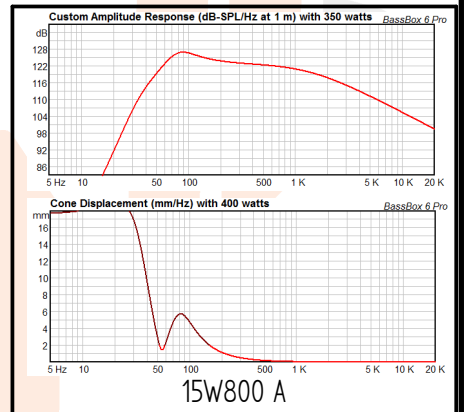
Wv = 220 mm

Lv = 130 mm

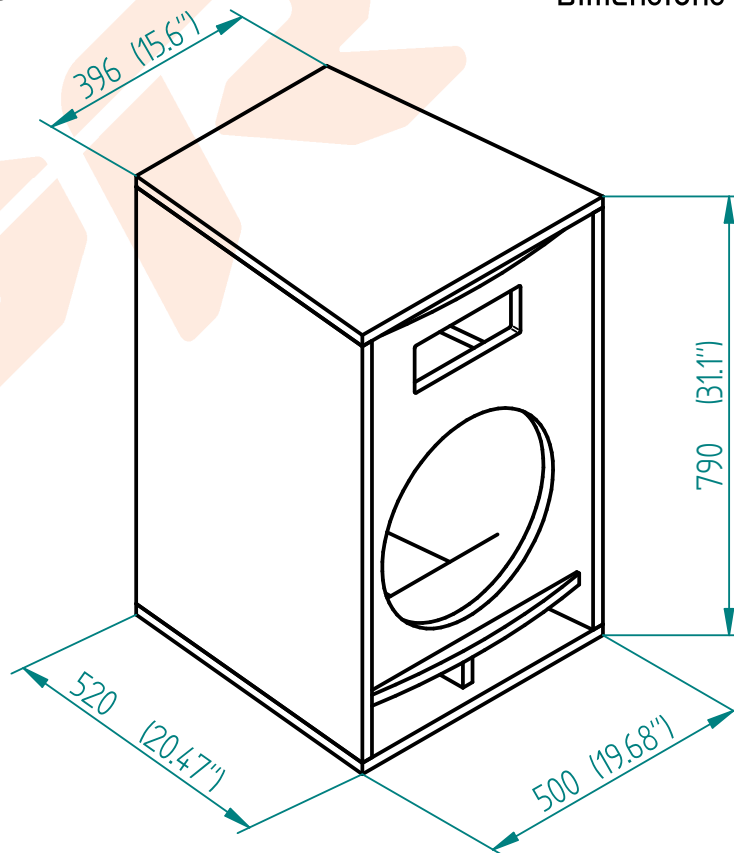
Material: Plywood 20mm



Speakers:
15W700 / 15W800A / 15W1000V2
D280Ti
WG23-25
Crossover:
Model 2DF2K

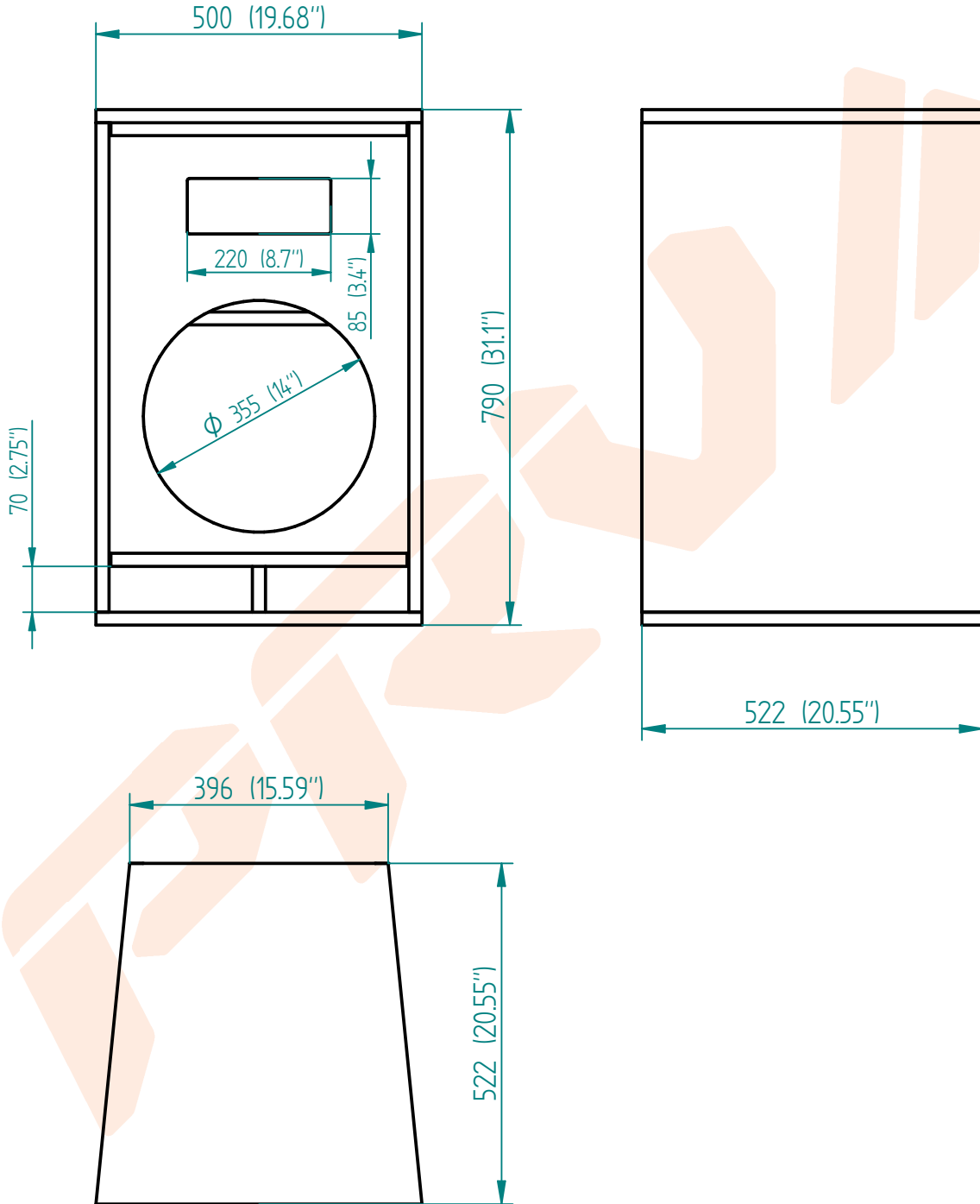


Dimensions in mm (Inches)



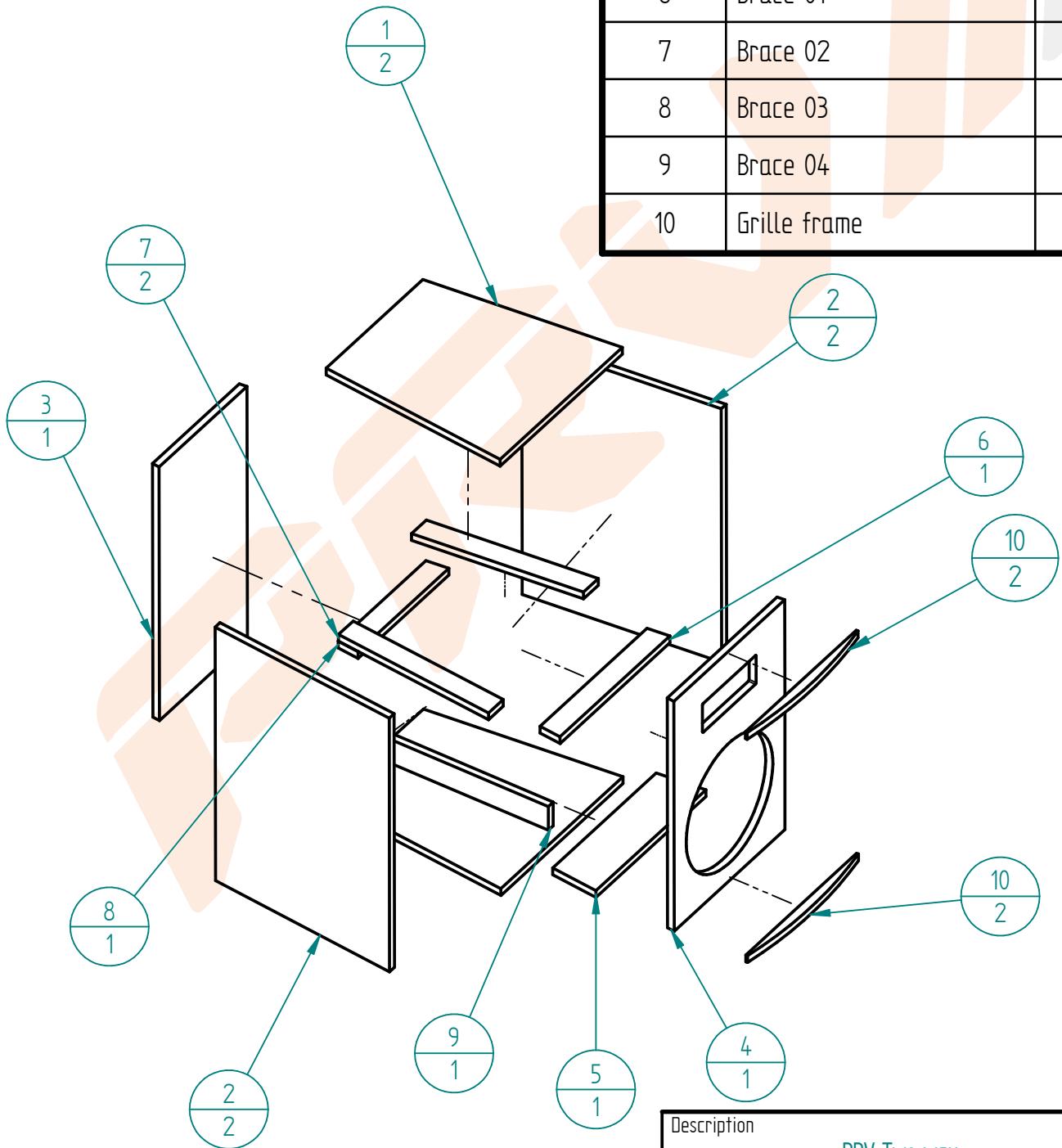
Description		PRV Two way -	
Form	Code	REV	
A4	Model #01		
Arquivo: Two Way single #01.dft			

Dimensions in mm (Inches)

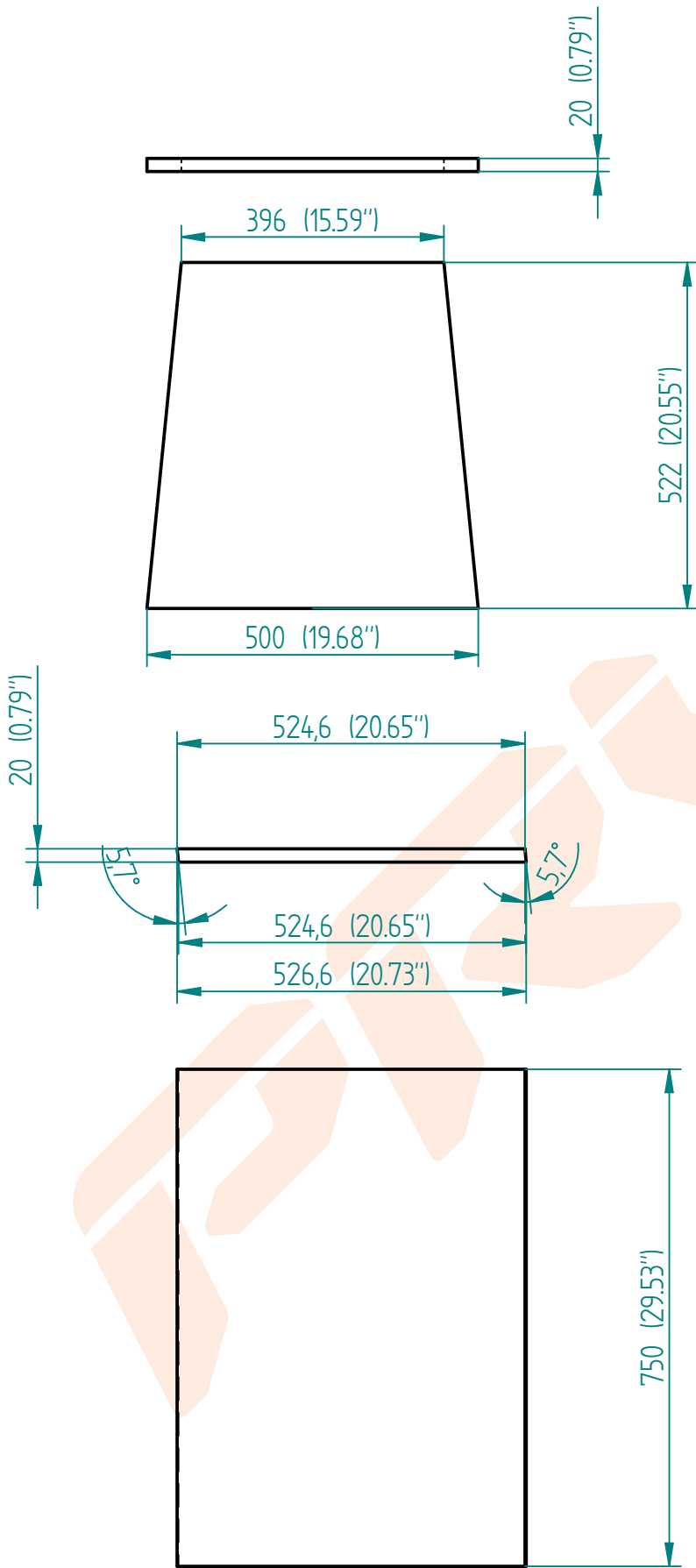


Description		
PRV Two way -		
Form	Code	REV
A4	Model #01	
Arquivo: Two Way single #01.dft		

Item Number	Part Name	Quantity
1	Side 01	2
2	Side 02	2
3	Side 03	1
4	Baffle	1
5	Port Side	1
6	Brace 01	1
7	Brace 02	2
8	Brace 03	1
9	Brace 04	1
10	Grille frame	2



Description		
PRV Two way -		
Form	Code	REV
A4	Model #01	
Arquivo: Two Way single #01.dft		



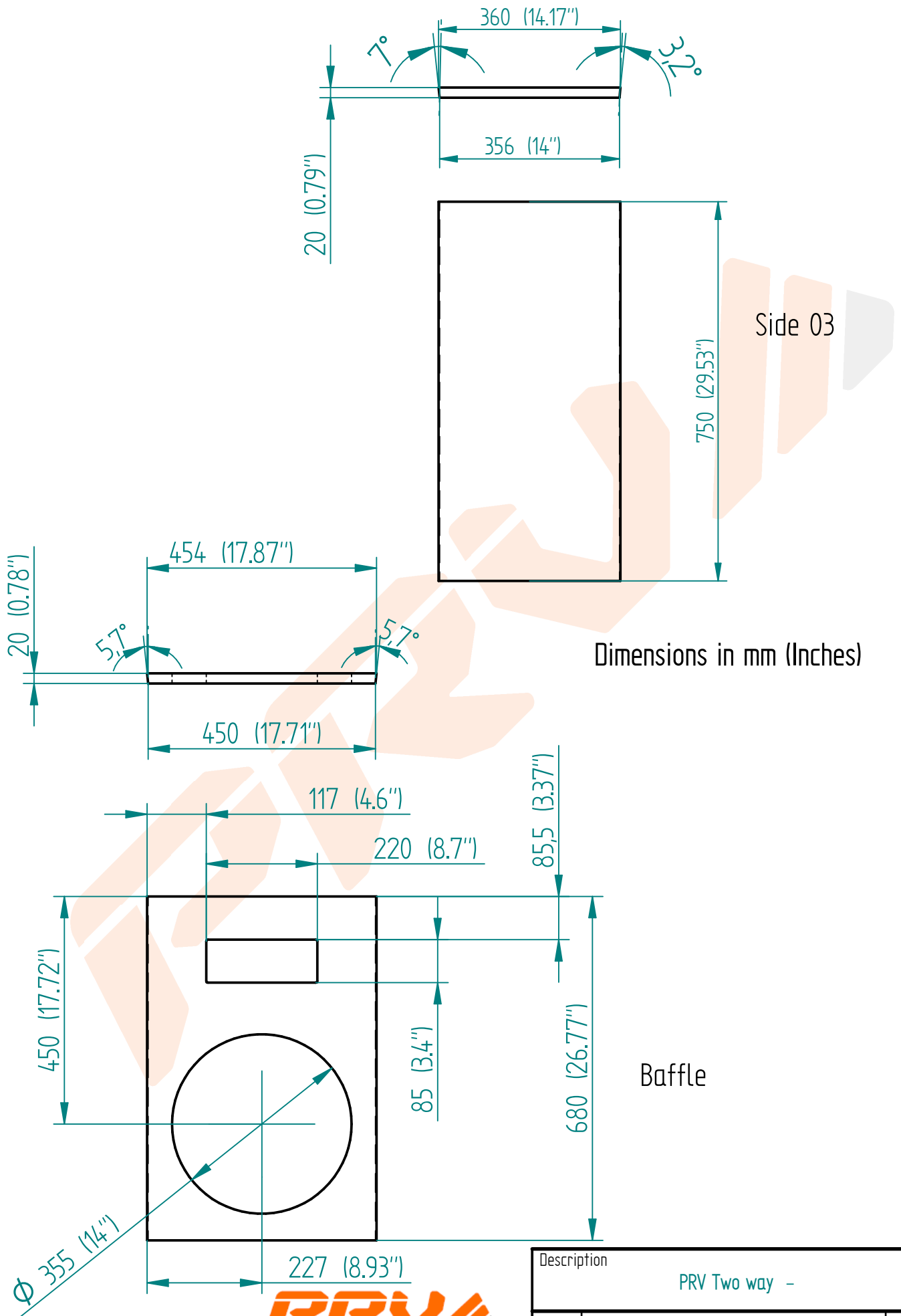
Side 01

Dimensions in mm (Inches)

Side 02



Description		
PRV Two way -		
Form	Code	REV
A4	Model #01	
Arquivo: Two Way single #01.dft		



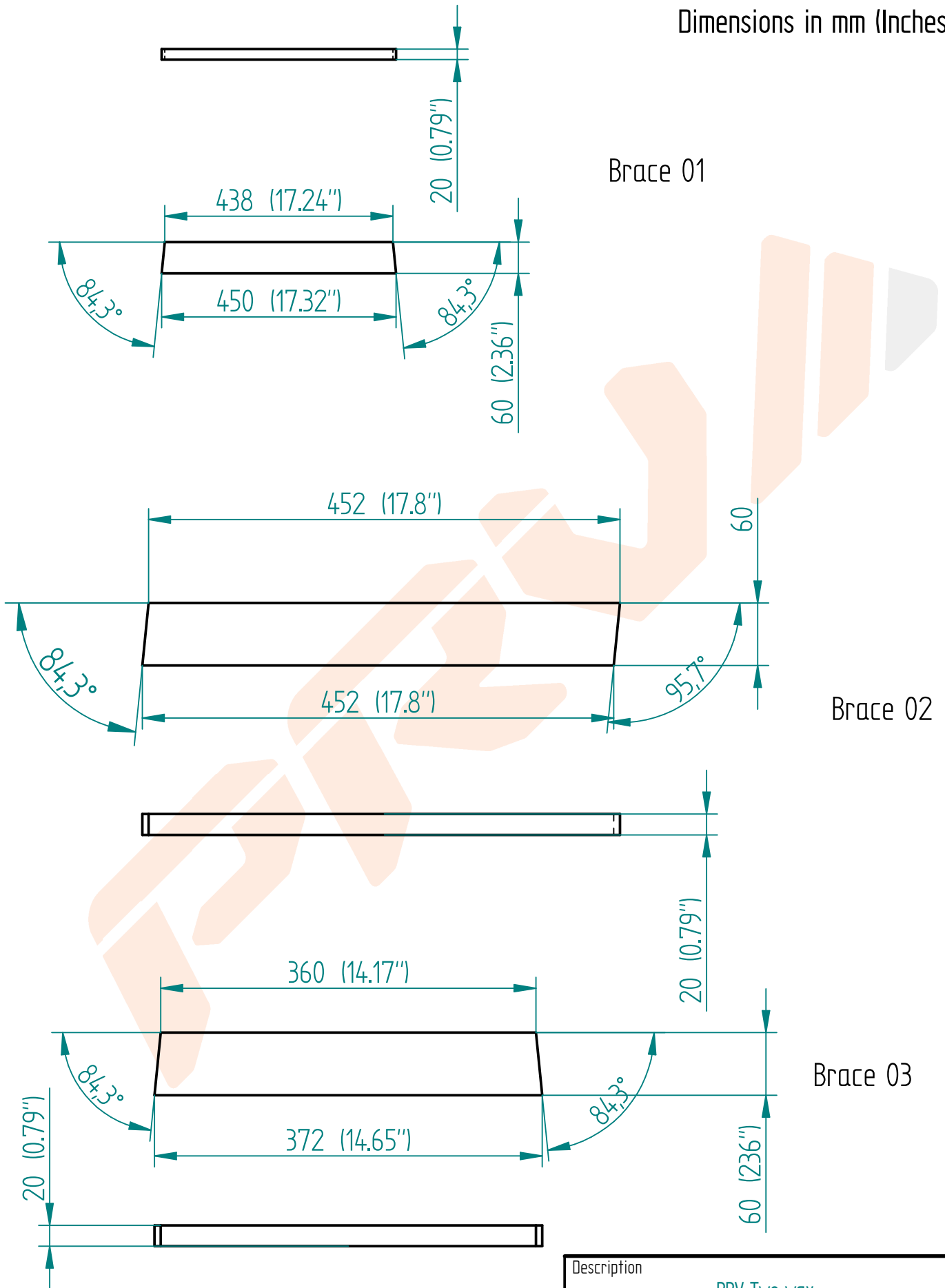
Dimensions in mm (Inches)

Baffle



Description		
PRV Two way -		
Form	Code	REV
A4	Model #01	
Arquivo: Two Way single #01.dft		

Dimensions in mm (Inches)



Brace 01

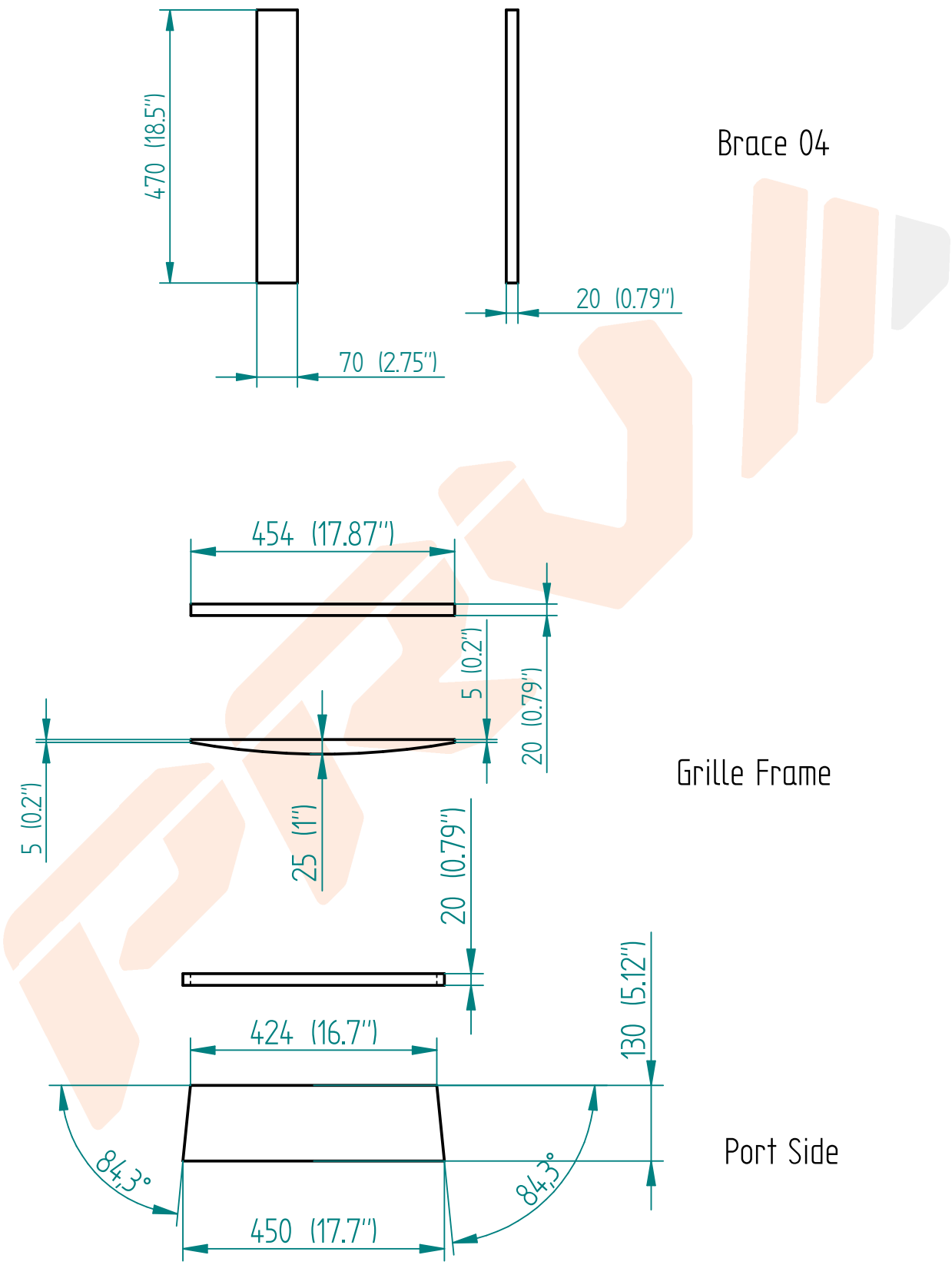
Brace 02

Brace 03



Description		
PRV Two way -		
Form	Code	REV
A4	Model #01	
Arquivo: Two Way single #01.dft		

Dimensions in mm (Inches)



Description		
PRV Two way -		
Form	Code	REV
A4	Model #01	
Arquivo: Two Way single #01.dft		